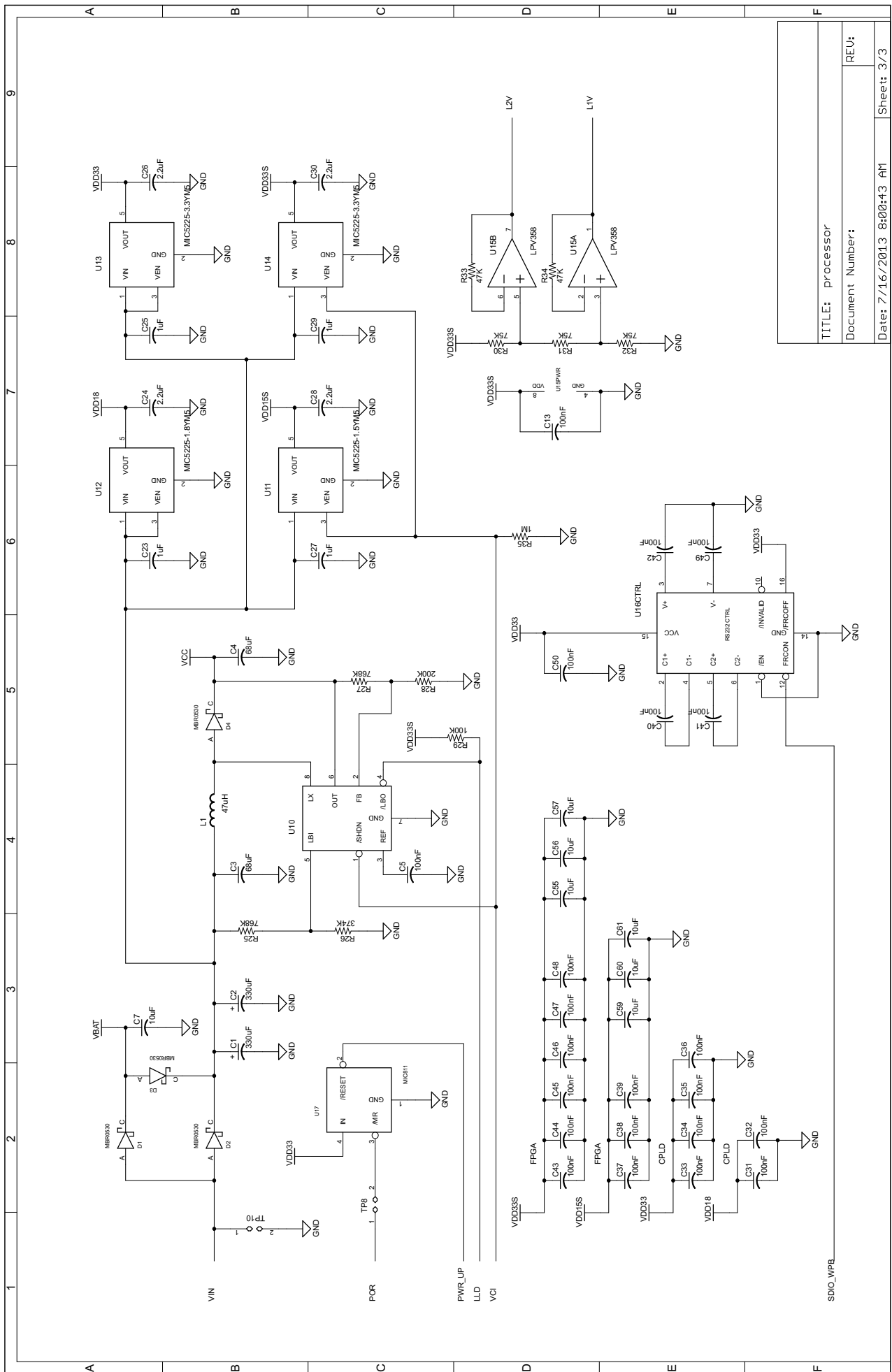


TITLE: Processor
Document Number:
Date: 7/16/2013 8:00:43 AM
Sheet: 2/3



TITLE: Processor  
 Document Number:  
 Date: 7/16/2013 8:00:43 AM